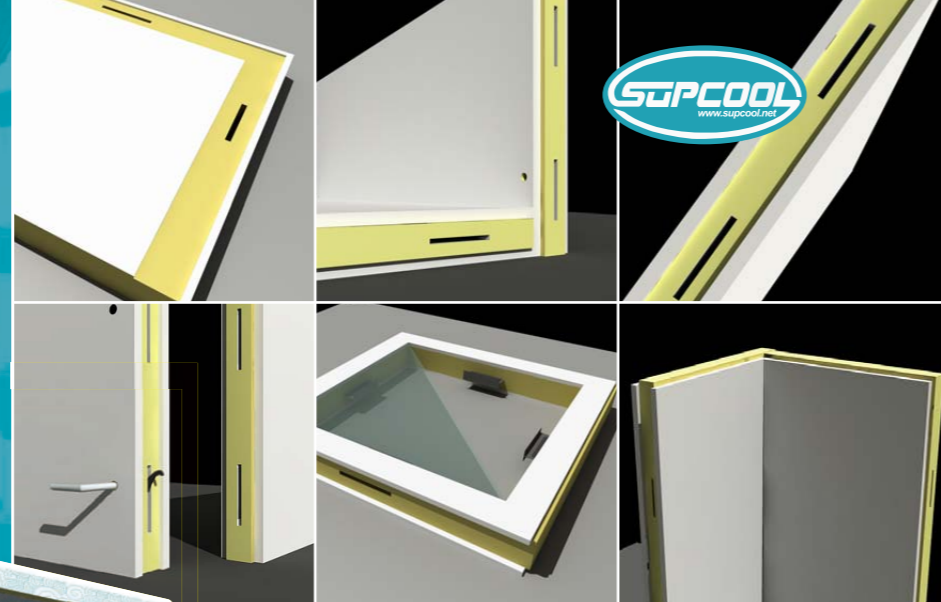
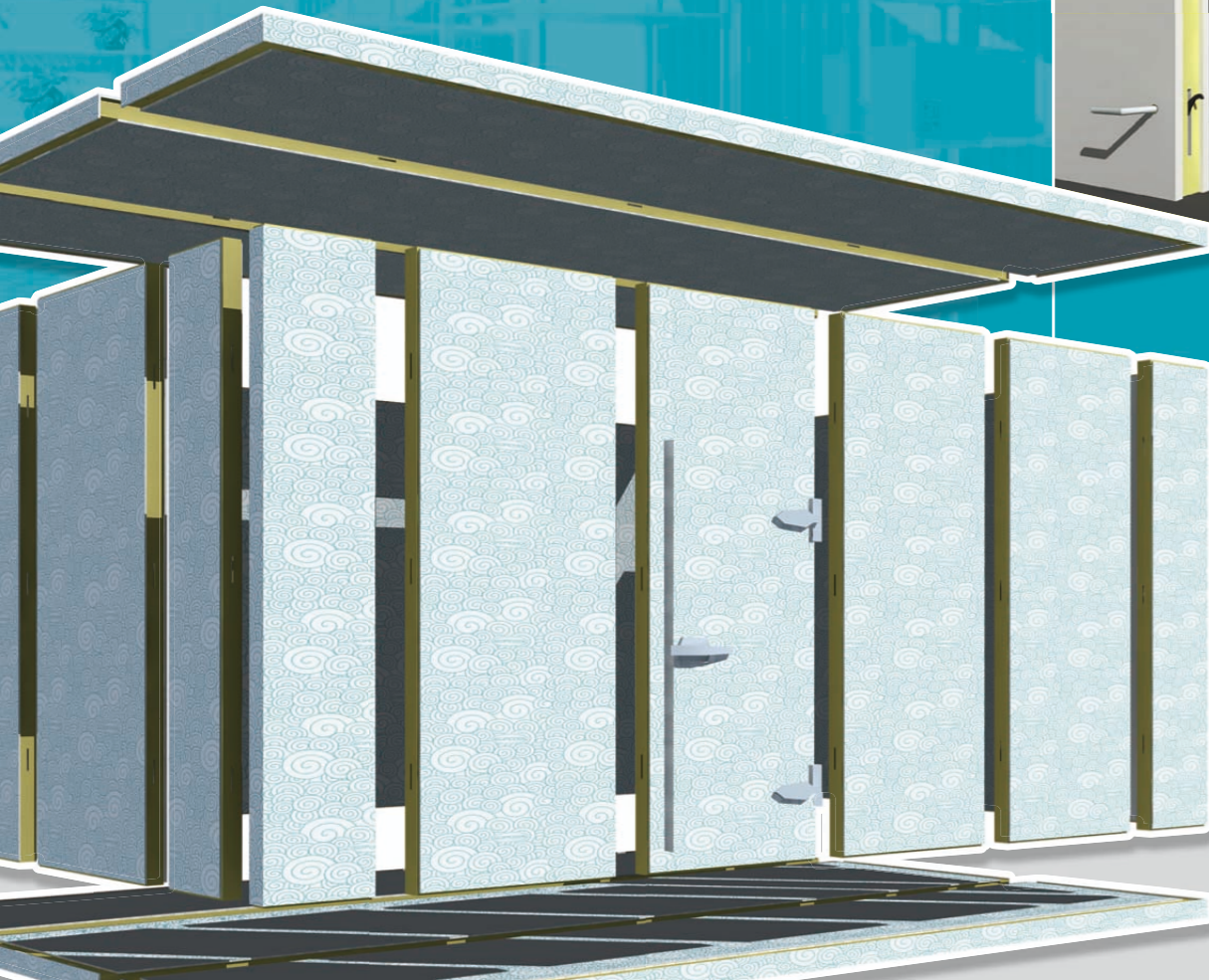


Cold Room

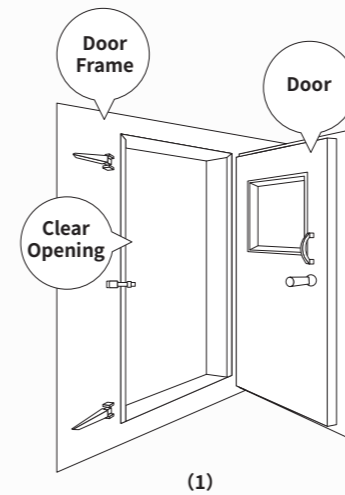


Supcool Refrigeration Equipment Factory

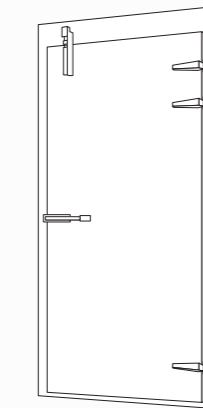


Product Description:

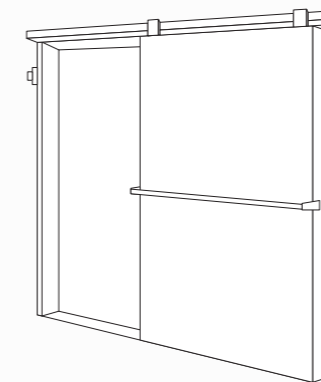
- ★ Polyurethane sandwiched panels are of 100% polyurethane insulation, which is constructed by being foamed in place with retarded polyurethane using high pressure. Average density is 45kg/m³;
- ★ The standard panel width is 960mm, the maximum lengths of panels are provided 6m till now. Also the thickness can reach 100mm/150mm;
- ★ Besides the standard ones, customized panels are also available. As for the surface material, you can choose either one among stainless steel plate, painted galvanized mild steel and embossing aluminum plate;
- ★ Every panel consists of tongue and groove construction and can be tightened by a number of eccentric fasteners, which may be screwed easily with a hexagonal key.



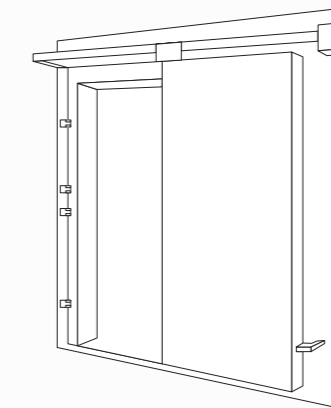
(1)



(2)



(3)



(4)

Standard Hinged Door

Part Model	Door Frame Dimension(mm)	Clear Opening Dimension(mm)
L700	790×1790	700×1700
L900	1000×2000	900×1900

Heat insulation material: Polyurethane(Thickness:100mm) Surface Material: Painted Galvanized Mild Steel
 **To be adjusted as per specific requirement

Automatically Swing Door

Part Model	Door Frame Dimension(mm)	Door Opening Dimension(mm)
H700	790×1790	700×1700
H900	1000×2000	900×1900

Heat insulation material: Polyurethane(Thickness:100mm) Surface Material: Painted Galvanized Mild Steel
 **To be adjusted as per specific requirement

Standard Manual Sliding Door

Part Model	Door Frame Dimension(mm)	Clear Opening Dimension(mm)
MS900×1040	1040×2040	900×1900
MS1040×1180	1180×2040	1040×1900
MS1200×1340	1340×2140	1200×2000
MS1500×1640	1640×2140	1500×2000

Automatically Sliding Door

Part Model	Door Frame Dimension(mm)	Clear Opening Dimension(mm)
AS900×1040	1040×2040	900×1900
AS1040×1180	1180×2040	1040×1900
AS1200×1340	1340×2140	1200×2000
AS1500×1640	1640×2140	1500×2000

Heat insulation material: Polyurethane(Thickness:100mm) Surface Material: Painted Galvanized Mild Steel
 **To be adjusted as per specific requirement



Door Hinges

Part No.	Description
FC-306	Reversible Reach-in Edge mount Can-lift Hinge
FC-1132	Reversible Reach-in Edge mount Can-lift Hinge
FC-1332	Reversible Reach-in Edge mount Can-lift Hinge(high 32mm)
FC-1336	Reversible Reach-in Edge mount Can-lift Hinge(high 36mm)
FC-1238	Reversible Reach-in Plane Hinge
FC-1230S	Reversible Reach-in Plane Hinge(with spring)
FC-201	Reversible Reach-in Plane Hinge(w/o spring)
FC-1424	Cam-Lift Hinge 24mm
FC-380	Cam-Lift Hinge 32mm
FC-1432	Cam-Lift Hinge 32mm
FC-1470	Reach-in door hinge, adjustable height from 40 to 70 mm, Zinc body.
FC-1460	Reach-in door hinge, adjustable height from 32 to 60 mm, Zinc body.
FC-1450	Reach-in door hinge, adjustable height from 32 to 50 mm, Zinc body.
FC-8064-1	Hinge for flush door, width 100mm, length 100mm, stainless steel.
FC-650(3.5)	Refrigerator spring hinge, spring diameter: 3.5mm
FC-650(4.0)	Refrigerator spring hinge, spring diameter: 4.0mm
FC-650(5.0)	Refrigerator spring hinge, spring diameter: 5.0mm

Door Latches

Part No.	Description
FC-1178	Safety latches with inside release handle, adjustable height from 35mm to 70mm, Zinc body
FC-1200	Edge mount mechanical latches, adjustable height from 18mm to 22mm, Zinc body
FC-1250	Edge mount mechanical latches, adjustable height from 18mm to 22mm, Zinc body
FC-1240	Edge mount mechanical latches, adjustable height from 18mm to 22mm, Zinc body
FC-1060	6" Lever & Roller latches, Zinc body
FC-1040	4" Lever & Roller latches, Zinc body
FC-1400	Edge mount mechanical latches, adjustable height from 26mm to 36.5mm, Zinc body
FC-1061	Edge mount mechanical latches, adjustable height from 26mm to 36mm, Zinc body
FC-3-0681	Edge mount mechanical latches, adjustable height from 26mm to 36mm, Zinc body
FC-3-0680	Edge mount mechanical latches, adjustable height from 26mm to 36mm, Zinc body
FC-4000	Safety latch
FC-4100	Safety latch
FC-4255	Safety latch

Pressure Ventilator for Coldroom

	Aluminum Alloy Surface		Abs Frame
FC-110	Stainless Steel Filter	FC-220	Stainless Filter
	Electric Heater to Prevent Frozen(220V/36W)		Electric Heater to Prevent Frozen(220V/36W)

LED Light

- LED-401**
- Voltage:220V/110V/36V
 - Power:8W
 - Frequency:50Hz/60Hz
 - Temperature:6000-6500K
 - Display:more than 70
 - Light flux:800LM
 - Protection level:IP68
 - Used in < 4M height coldroom
 - Operating temperature:-20° to 40°
 - Service lifetime:10000 hours

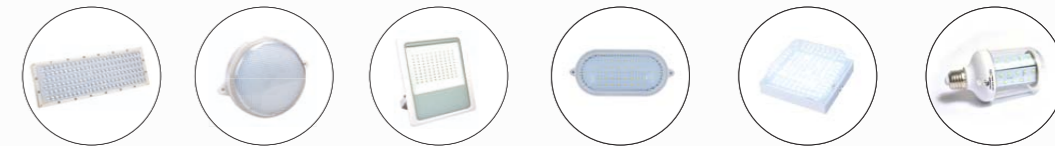
- LED-407**
- Voltage:220V/110V
 - Power:20W
 - Frequency:50Hz/60Hz
 - Temperature:6000-6500K
 - Display:above 70
 - Light flux:2000LM
 - Protection level:IP68
 - Used in < 4M height coldroom
 - Operating temperature:-20° to 40°
 - Service lifetime:10000 hours

- LED-420**
- Voltage:220V/110V
 - Power:36W
 - Frequency:50Hz/60Hz
 - Temperature:6000-6500K
 - Display:above 70
 - Light flux:3600LM
 - Protection level:IP65
 - Used in < 4M height coldroom
 - Operating temperature:-20° to 40°
 - Service lifetime:10000 hours

- LED-501**
- Voltage:220V/36V
 - Power:15W
 - Frequency:50Hz
 - Temperature:6000-6500K
 - Display:above 70
 - Light flux:3000LM
 - Protection level:IP65
 - Used in < 5M height coldroom
 - Operating temperature:-20° to 40°
 - Service lifetime:10000 hours

- LED-601**
- Voltage:220V/110V
 - Power:30W
 - Frequency:50Hz /60Hz
 - Temperature:6000-6500K
 - Display:more than 70
 - Light flux:3000LM
 - Protection level:IP65
 - Used in 6M to 8M height coldroom
 - Operating temperature:-20° to 40°
 - Service lifetime:10000 hours

- LED-1102**
- Voltage:220V/110V
 - Power:100W
 - Frequency:50Hz
 - Temperature:6000-6500K
 - Display:more than 70
 - Light flux:9000LM
 - Protection level:IP65
 - Used in < 8M height coldroom
 - Operating temperature:-20° to 40°
 - Service lifetime:10000 hours



Mini Type No.	Length(cm)	Power Supply	Luminous Flux	Emitting Color	LED Type	LED Amount	Voltage(v)	Temperature Range
LED-3528-5009	50	2.4	160lm	Cold / Warm White	SMD3528	30 caps	DC12V	-30~60° C
LED-3528-1009	100	4.8	320lm	Cold / Warm White	SMD3528	60 caps	DC12V	-30~60° C
LED-3528-15009	150	7.2	450lm	Cold / Warm White	SMD3528	90 caps	DC12V	-30~60° C

Triangle Type No.	Length(cm)	Power Supply	Luminous Flux	Emitting Color	LED Type	LED Amount	Voltage(v)	Temperature Range
LED-3528-5010	50	2.4	140lm	Cold / Warm White	SMD3528	30 caps	DC12V	-30~60° C
LED-5050-5010	50	7.2	430lm	Cold / Warm White	SMD5050	30 caps	DC12V	-30~60° C
LED-3528-10010	100	4.8	280lm	Cold / Warm White	SMD3528	60 caps	DC12V	-30~60° C
LED-5050-10010	100	14.4	850lm	Cold / Warm White	SMD5050	60 caps	DC12V	-30~60° C
LED-3528-15010	150	7.2	430lm	Cold / Warm White	SMD3528	90 caps	DC12V	-30~60° C
LED-5050-15010	150	21.6	1250lm	Cold / Warm White	SMD5050	90 caps	DC12V	-30~60° C
LED-3528-15009	150	7.2	450lm	Cold / Warm White	SMD3528	90 caps	DC12V	-30~60° C

U Type No.	Length(cm)	Power Supply	Luminous Flux	Emitting Color	LED Type	LED Amount	Voltage(v)	Temperature Range
LED-3528-5011	50	2.4	140lm	Cold / Warm White	SMD3528	30 caps	DC12V	-30~60° C
LED-5050-5011	50	7.2	430lm	Cold / Warm White	SMD5050	30 caps	DC12V	-30~60° C
LED-3528-10011	100	4.8	280lm	Cold / Warm White	SMD3528	60 caps	DC12V	-30~60° C
LED-5050-10011	100	14.4	850lm	Cold / Warm White	SMD5050	60 caps	DC12V	-30~60° C
LED-3528-15011	150	7.2	430lm	Cold / Warm White	SMD3528	90 caps	DC12V	-30~60° C
LED-5050-15011	150	21.6	1250lm	Cold / Warm White	SMD5050	90 caps	DC12V	-30~60° C

Remark: Coldroom temp. -25°C ; △ T=6°C